

# Vacuum Speeder

## VCS 202 - 18M20 / VCS 202 - 38M20 / VCS 202 - 12M20

Max. vacuum level : -90kPa  
 Max. flow rate : 41.3 ℓ /min  
 Supply air pressure : 3~6bar , max 7bar  
 Supply air type : Dry compressed air  
 Working temperature : -20°C to +80°C  
 Noise level : 55~65 dBA



### Main advantages

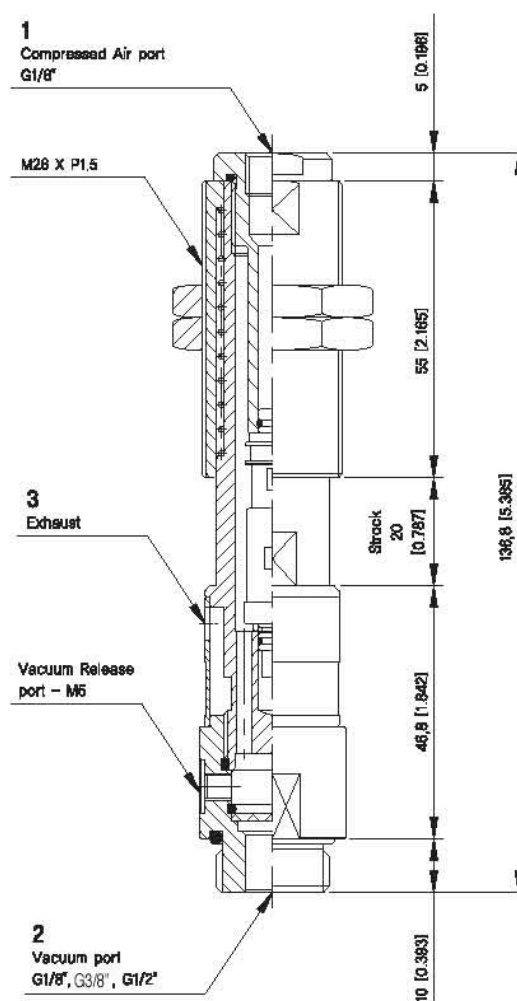
- VTEC Vacuum Cartridge<sup>PT</sup> with silencer built into level spring.
- High operational reliability despite fluctuating or low compressed-air pressure.
- Low air consumption (Save energy).
- Compensate for differences in height on the surface of the material.
- VTEC Vacuum Cartridge<sup>PT</sup> mounted close to work (Fast response time).
- Very Compact size.
- Easily mountable and interchangeable vacuum cartridge.

### Performance Data

MAX. Vacuum (-kPa)	Feed pressure (MPa)	Vacuum flow, NI/min, at different vacuum level -kPa (-mmHg)									
		0 (0)	10 (75)	20 (150)	30 (225)	40 (300)	50 (375)	60 (450)	70 (525)	80 (600)	90 (675)
50	0,17	35	25,4	12,8	8,3	4					
65	0,22	38,8	29,5	17	11,5	8	5,2	1,4			
90	0,314	41,3	36,9	26	15,8	11	8,9	6,6	3,9	2	
85	0,4	40	42,7	31	23	14,1	7,6	6,4	3,9	1,3	

Feed pressure (MPa)	Air consumption (NI/min)	Time,s/l, to evacuate a volume to different vacuum level -kPa(-mmHg)									
		10 (75)	20 (150)	30 (225)	40 (300)	50 (375)	60 (450)	70 (525)	80 (600)	90 (675)	
0,17	17	0,26	0,59	1,29	2,56						
0,22	20	0,18	0,48	0,95	1,55	2	2,5				
0,314	26	0,15	0,37	0,61	1,5	1,5	2	3,8	6,2		
0,4	32	0,14	0,39	0,59	0,9	1,2	1,8	3,2	6,9		

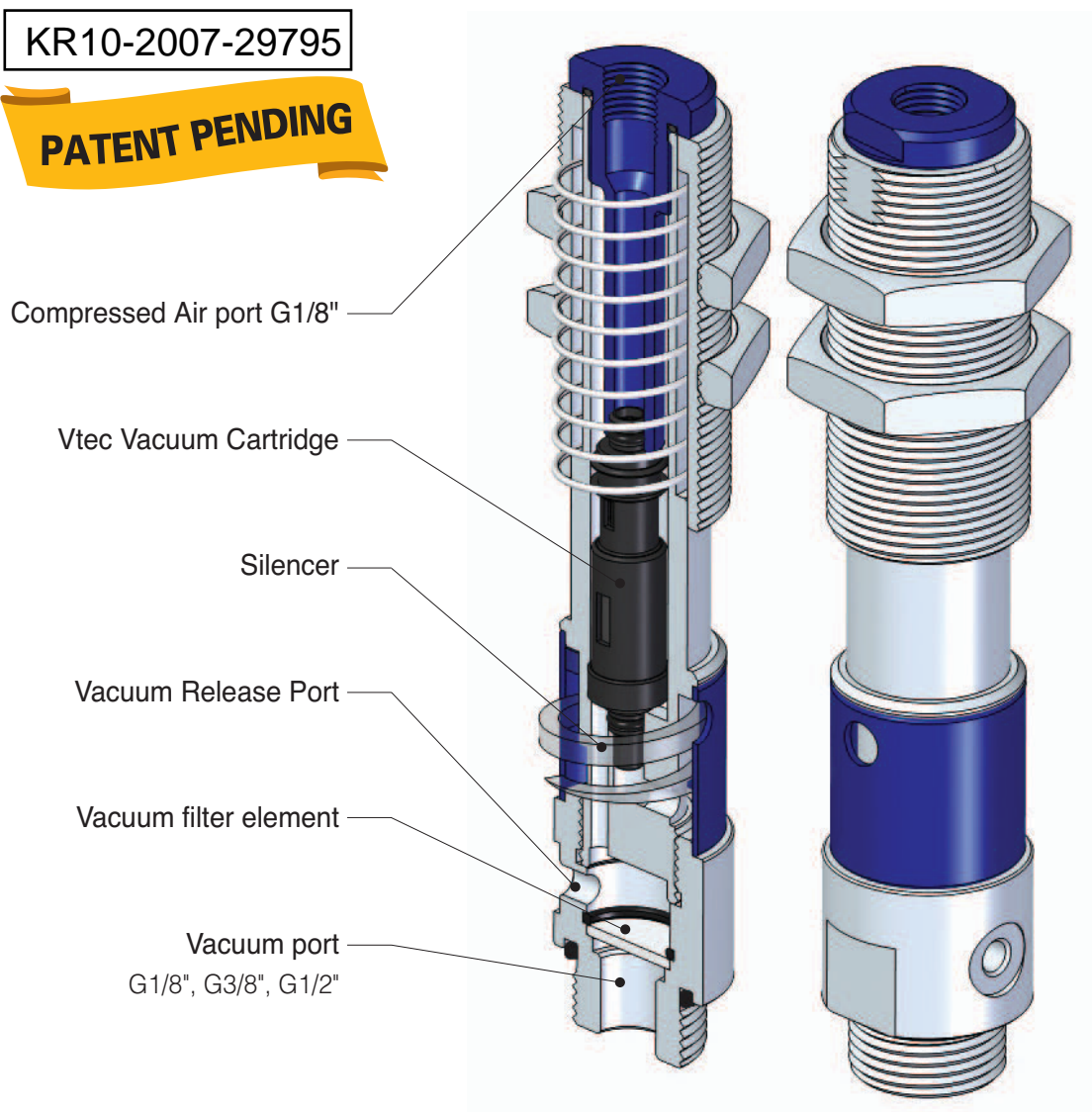


Measure unit : mm[in]

# Vacuum Speeder

KR10-2007-29795

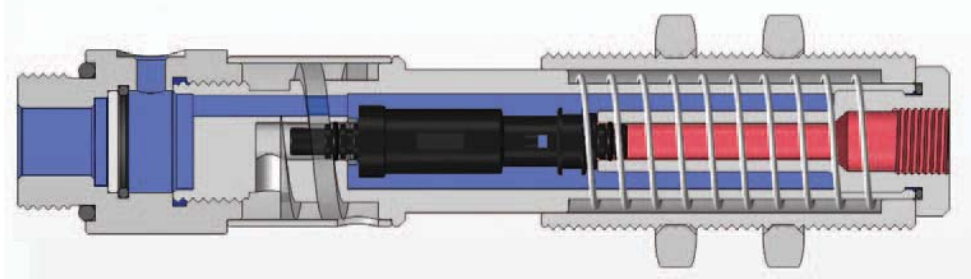
**PATENT PENDING**



## Features

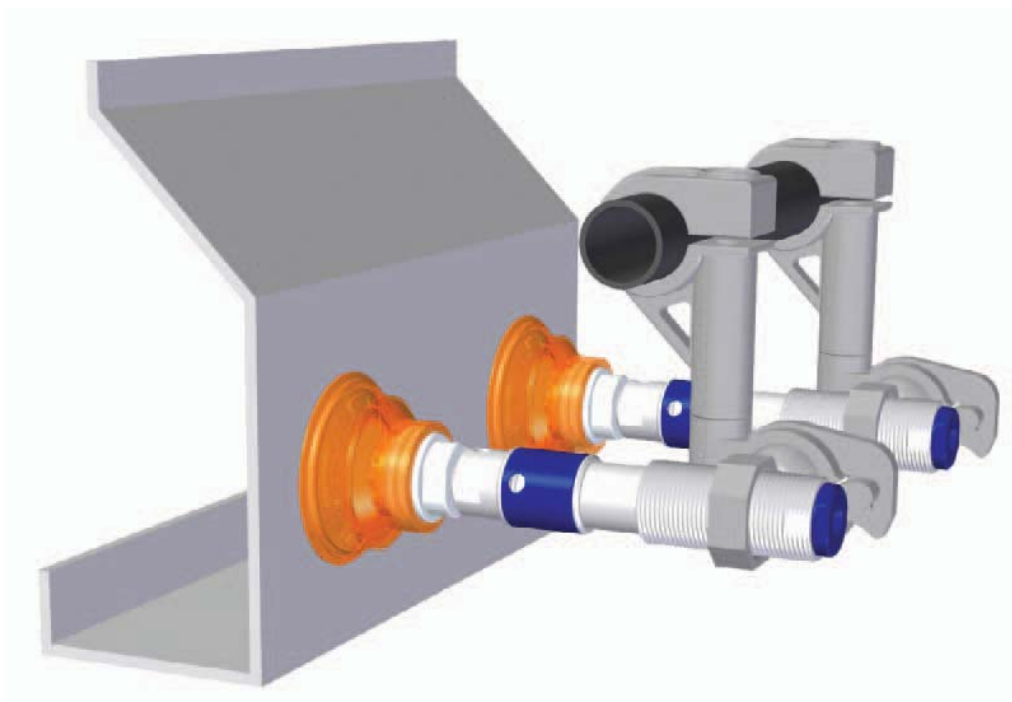
- VTEC Vacuum Speeder operates at 3-6bar air pressure and maintains vacuum (-90kPa) in low pressure or fluctuating pressure situations.
- Extremely fast response (increased speed).
- Vtec Cartridge vacuum pump with silencer built into the body of a level spring.
- Small size and easy to mount.
- Low energy consumption and noise level.
- No maintenance expected or required.

ACTUAL SIZE

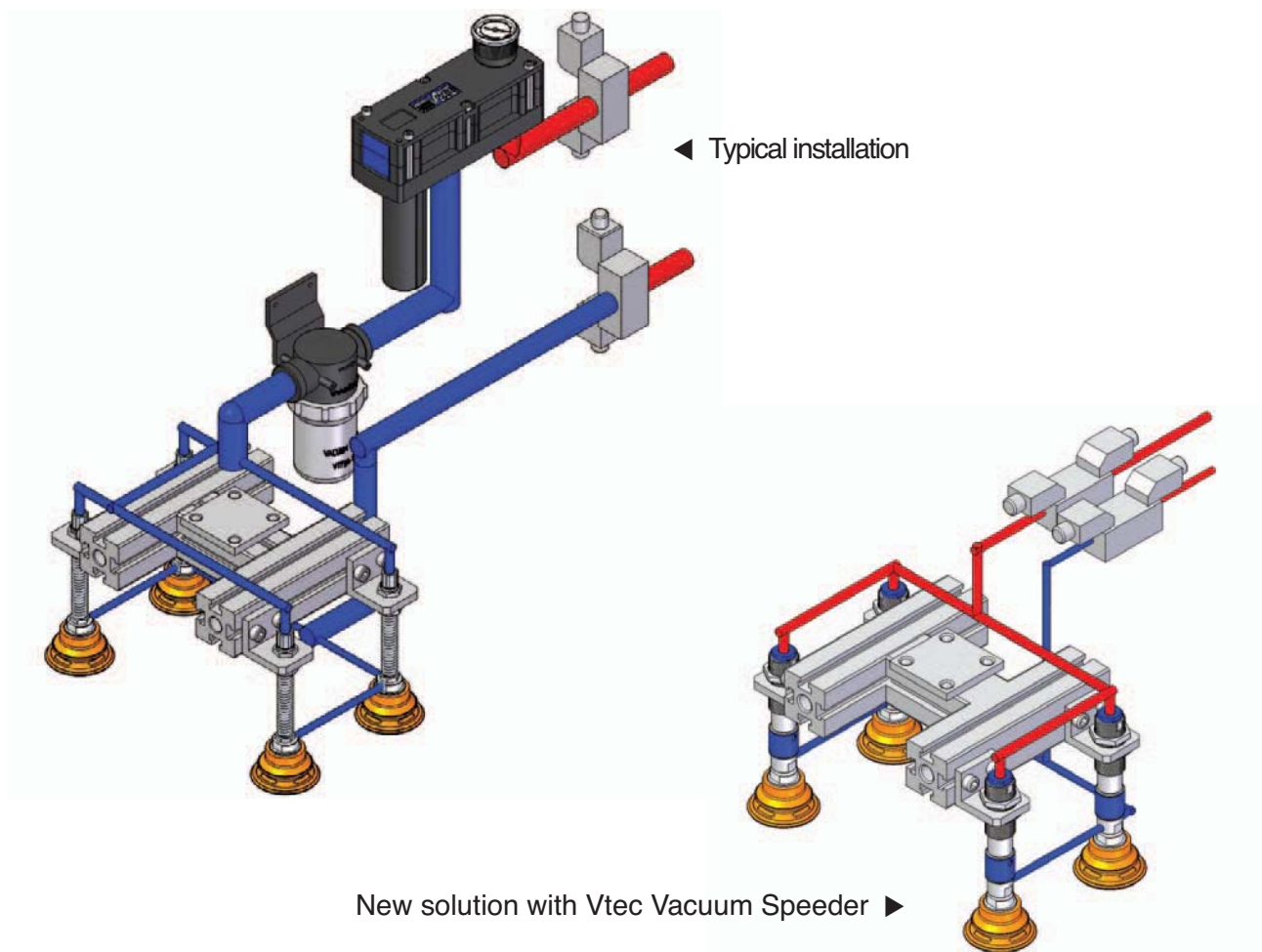


■ Vacuum zone     
 ■ Compressed-air feed zone

The vacuum cartridge is built into the body of the level compensator. System plumbing is virtually eliminated and vacuum is created directly at the point of use. Quicker response and faster cycle times with minimum compressed air usage are the result. Additionally, the VTEC Vacuum Speeder offers all the height compensating and shock absorbing qualities of a conventional level spring.



The VTEC Vacuum Speeder offers the convenience of an extremely compact, point-of-use vacuum pump.



## Features

- VTEC Vacuum Cartridge with silencer built into the body of a level spring.
- Point-of-use design eliminates system plumbing.
- Individual and independent vacuum improves safety and reliability of operation.
- Low energy consumption.
- Fast response and cycle times - as much as 60% faster than typical, conventional ejectors.



153-839 RM 206. Saehan Venture World B/D,  
113-15, Shiheung-dong, Keumchun-gu, Seoul, Korea  
TEL: 82-2-2617-5008(Rep.) FAX: 82-2-2617-5009  
e-mail: vtec@vtec.dk  
**www.vtec.dk**

### **GERMANY**

V'tec Vakuum Technologie GmbH  
Auf dem Brühl 6  
D-72658 Bempflingen, Germany  
Tel. +49(0)7123/932834  
Fax. +49(0)7123/932865  
<http://www.vtec.dk>  
e-mail : vtec@t-online.de

### **South East Asia**

VTEC South East Asia Sdn. Bhd.  
(596556) No. 7B, Jalan Kenari 3,  
Bandar Puchong Jaya, 47100  
Puchong, Selangor Darul Ehsan, Malaysia  
Tel. +603-5882-7112  
Fax. +603-5882-7696  
<http://www.vtec.dk>  
e-mail : vtcesales@vtec.dk

### **USA**

VtecUSA Inc.  
2967 Nationwide Pkwy., Unit #3,  
Brunswick, OH 44212, USA  
Tel : +1-330-220-8983  
Fax : +1-330-220-6230  
<http://www.vtecusa.com>  
e-mail : sales@vtecusa.com